

Product datasheet

DULUX L 18 W/840 2G11

OSRAM DULUX L LUMILUX | CFLni, with 4-pin 2G11 base for ECG/CCG operation

- Offices, public buildings Shops Supermarkets and department stores Hotels, restaurants Industry



- Very economical Outstanding luminous flux Outstanding luminous efficiency Long service life Less than half as long as tubular fluorescent lamps Improved maintenance



Product datasheet

Technical data

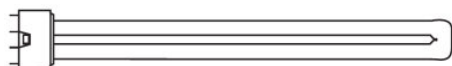
Electrical data

Nominal wattage	18.90 W
Nominal voltage	58 V
Rated wattage	18.90 W
Nominal current	0.38 A

Photometrical data

Nominal luminous flux	1175 lm
Light color (designation)	LUMILUX Cool White
Luminous flux at	1200 lm
Rated luminous flux	1175 lm
Rated color temperature	4000 K
Rated LLMF at 20,000 h	0.80
Luminance	2.1 cd/cm ²
Color rendering index Ra	≥80
Color temperature	4000 K
Luminous flux	1175 lm
Color rendering index Ra	≥80

Dimensions & weight



Diameter	17.5 mm
Overall length	221.0 mm
Tube diameter	17.5 mm
Length	221.0 mm
Length acc. to IEC standard	225 mm
Length with base excl. base pins/connection	217.00 mm
Outer bulb	T16

Product datasheet

Product weight	55.40 g
----------------	---------

Lifespan

Rated lamp life time	20000 h
Service life	13000 h ¹⁾
Lifespan	20000 h ¹⁾
Nominal lamp life time	20000 h

¹⁾ With preheat ECG

Additional product data

Base (standard designation)	2G11
Mercury content	2.5 mg
Appropriate disposal acc. to WEEE	Yes
Product remark	For ECG and CCG operation

Capabilities

Dimmable	Yes
----------	-----

Certificates & standards

Energy efficiency class	G
Energy consumption	19 kWh/1000h

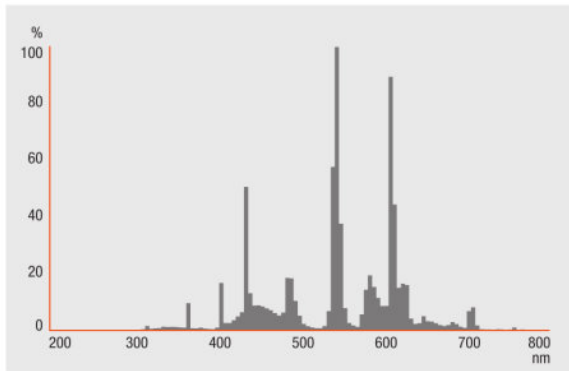
Country specific categorizations

ILCOS	FSD-18/840-E-2G11-43,9/217
Order reference	DULUX L 18W/840

Environmental information

Date of Declaration	10-11-2021
Primary Article Identifier	4050300010724
Candidate List Substance 1	No declarable substances contained
CAS No. of substance 1	No CAS
Declaration No. in SCIP database	No declarable substances contained

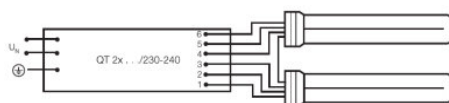
Light Distribution



FL_840

Equipment / Accessories

- Suitable for standard control gears and starters
- Suitable for operation on electronic and conventional control gear

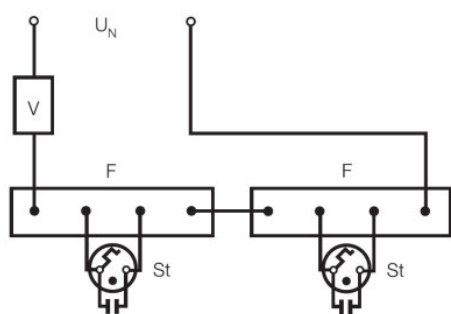


SERIES CONNECTION WITH QUICKTRONIC

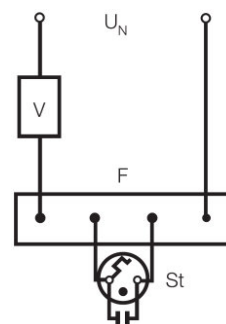


SINGLE LAMP WITH QUICKTRONIC

Product datasheet



SERIES CONNECTION TO 230V ONLY WITH STARTER ST151



SINGLE LAMP STARTER ST 111 OR ST 171

Logistical Data

Product code	Product description	Packaging unit (Pieces/Unit)	Dimensions (length x width x height)	Volume	Gross weight
4050300010724	DULUX L 18 W/840 2G11	Shipping carton box 10 Pieces Folding carton box	260 mm x 103 mm x 136 mm	3.64 dm ³	903.00 g

The mentioned product code describes the smallest quantity unit which can be ordered. One shipping unit can contain one or more single products. When placing an order, for the quantity please enter single or multiples of a shipping unit.

References / Links

For more information on QUICKTRONIC electronic control gear go to

▶ www.osram.com/QUICKTRONIC

For more information on the system guarantee and the terms and conditions of the guarantee visit

▶ www.osram.com/system-guarantee

Disclaimer

Subject to change without notice. Errors and omission excepted. Always make sure to use the most recent release.

OSRAM is distribution partner
of LEDVANCE of LAMPS

OSRAM

OSRAM GmbH
Marcel-Breuer-Strasse 6
80807 Munich, Germany

DULUX L 18 W/840 2G11

OSRAM DULUX L LUMILUX | CFLni, with 4-pin 2G11 base for ECG/CCG operation

Product name	Product name ECG	EAN	Nominal current	Nominal wattage + Power loss	Power factor λ [PIM]	Luminous flux at 35 °C
DULUX L 18 W/840 2G11	QT-ECO 1x18-24/220-240 S	4050300638560	0.13 A	18.00 W	0.92 c	1200 lm
	QTi DALI 1x18 DIM	4050300870403	0.08 A	18.00 W	0.97	1200 lm
	QTi DALI 2x18 DIM	4050300870526	0.16 A	37.00 W	0.97	1200 lm
	QTi DALI 3x18 DIM	4008321069979	0.24 A	53.60 W	0.98	1200 lm
	QTi DALI 4x18 DIM	4008321070050	0.31 A	69.30 W	0.98	1200 lm
	QTP-M 1x26-42	4008321329134	0.09 A	18.00 W	0.88 c	1150 lm
	QTP-M 2x26-32	4008321329158	0.16 A	36.00 W	0.95	1150 lm
	QTP-OPTIMAL 1x18-40	4008321873743	0.09 A	19.00 W	0.90 c	1150 lm
	QTP-OPTIMAL 2x18-40	4008321873767	0.16 A	36.00 W	0.95	1150 lm

Product name	Product name ECG	EAN	Number of lighting outlets	EEI – Energy Label
DULUX L 18 W/840 2G11	QT-ECO 1x18-24/220-240 S	4050300638560	1	A2
	QTi DALI 1x18 DIM	4050300870403	1	
	QTi DALI 2x18 DIM	4050300870526	2	
	QTi DALI 3x18 DIM	4008321069979	3	
	QTi DALI 4x18 DIM	4008321070050	4	
	QTP-M 1x26-42	4008321329134	1	

Product datasheet

Product name	Product name ECG	EAN	Number of lighting outlets	EEI – Energy Label
	QTP-M 2x26-32	4008321329158	2	
	QTP-OPTIMAL 1x18-40	4008321873743	1	
	QTP-OPTIMAL 2x18-40	4008321873767	2	